



# KOMO® Product certificate K95843-2



Issued 2023-03-22 Replaces K95843/01  
Valid until Indefinite Dated 2018-09-26  
Page 1 of 3

Steel for reinforcement of concrete B500B: coils

## CELSA ATLANTIC S.L.

### STATEMENT BY KIWA

This product certificate is based on Guideline/BRL 0501 "Steel for the reinforcement of concrete" (Betonstaal)" dated 01 September 2010 inclusive amendment sheet dated 12 December 2018, issued according to the Kiwa-Regulation for Certification.

The quality system and the product characteristics of this product are checked periodically. Based on this, **Kiwa declares that** there is legitimate confidence that:

Upon delivery, the product supplied by the certificate holder meets the requirements:

- Of the technical specifications laid down in this product certificate,
- The product requirements laid down in the Guideline/BRL 0501.

Provided the product is accompanied by the KOMO® quality mark in the manner set out in this product certificate.

Ron Scheepers  
Kiwa

*This product certificate is also included on the KOMO foundation websites: [www.komo.nl](http://www.komo.nl) and [www.komo-online.nl](http://www.komo-online.nl).  
Users of this product certificate is advised to check whether it is still valid. For this purpose consult the website of Kiwa: [www.kiwa.nl](http://www.kiwa.nl).*

Kiwa Nederland B.V.  
Sir Winston Churchillaan 273  
Postbus 70  
2280 AB RIJSWIJK  
The Netherlands  
Tel. +31 88 998 44 00  
Fax +31 88 998 44 20  
info@kiwa.nl  
[www.kiwa.nl](http://www.kiwa.nl)

Certificate holder  
CELSA ATLANTIC S.L.  
Lugar de Lendo  
15145 A LARACHA,  
A CORUÑA, SPAIN  
Tel. +34 981 012 620  
info@celsaatlantic.com  
largos.celsaatlantic.com



Assessed is:  
• Quality system  
• Product  
Periodic control

Steel for the reinforcement of concrete B500B: coils

**1 TECHNICAL SPECIFICATION**

This product certificate relates to the product characteristics of Steel for the reinforcement of concrete, B500B: (coils). The products are intended for use in concrete structures.

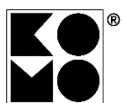
The following products are covered by this product certificate:

Classification	: B500B
Production method	: Hot rolled / water cooled
Nominal size	: 6 – 8 – 10 – 12 and 16 mm
Delivery condition	: coils (wild spooled)

**2 QUALITY MARK AND INDICATIONS PLACED ON THE PRODUCTS**

The products are marked with a label with upon it at least on a clear and indelible way:

- The KOMO® indication or the KOMO® quality mark followed by the certificate number. The official KOMO quality mark is shown and executed as follows:



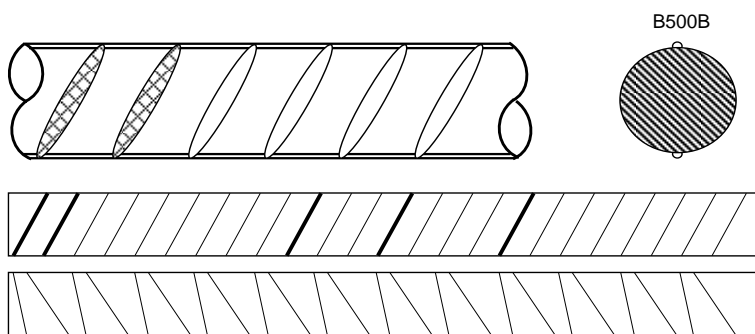
K95843

- The classification B500B
- BRL 0501
- Diameter
- The rolling mark
- Production code (heat number / cast number / coil number) or production date
- Factory brand or factory name

At least one label per coil is required.

Steel for the reinforcement of concrete is marked on the following way: On one rib row by widened ribs, with the code ( 7-23 ), see figure 2.

Position of the rolling mark: at intervals of ± 1 m. The position of the transverse ribs may also be reversed.



(7 – 23) Figure 2

**3 PRODUCT CHARACTERISTICS**

The product meets the product characteristics as laid down in Guideline/BRL 0501.

**4 TIPS FOR THE USER**

Check on delivery of the products listed under the “technical specification” whether:

- The product(s) and material(s) ordered are delivered in accordance with the agreement you made.
- The brand and the method of marking is correct
- No defects or damage is visible (for example, resulting from the transportation).

## Steel for the reinforcement of concrete B500B: coils

---

If on the basis of the foregoing you decide to proceed to rejection, please contact

- CELSA ATLANTIC S.L.

And if necessary,

- Kiwa Nederland B.V.

Consult NEN-EN 13670 for the correct method of storage, transport and processing.

Consult the website [www.kiwa.nl](http://www.kiwa.nl) to check whether this product certificate is still valid.

### LIST OF DOCUMENTS

NEN 6008 : Betonstaal

NEN-EN 13670 : Het vervaardigen van betonconstructies

\* For the actual version of the standards see the latest version of the BRL 0501 or latest amendment sheet.